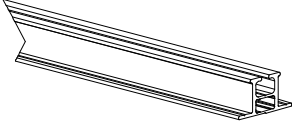
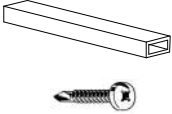

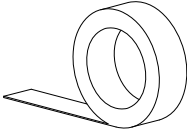
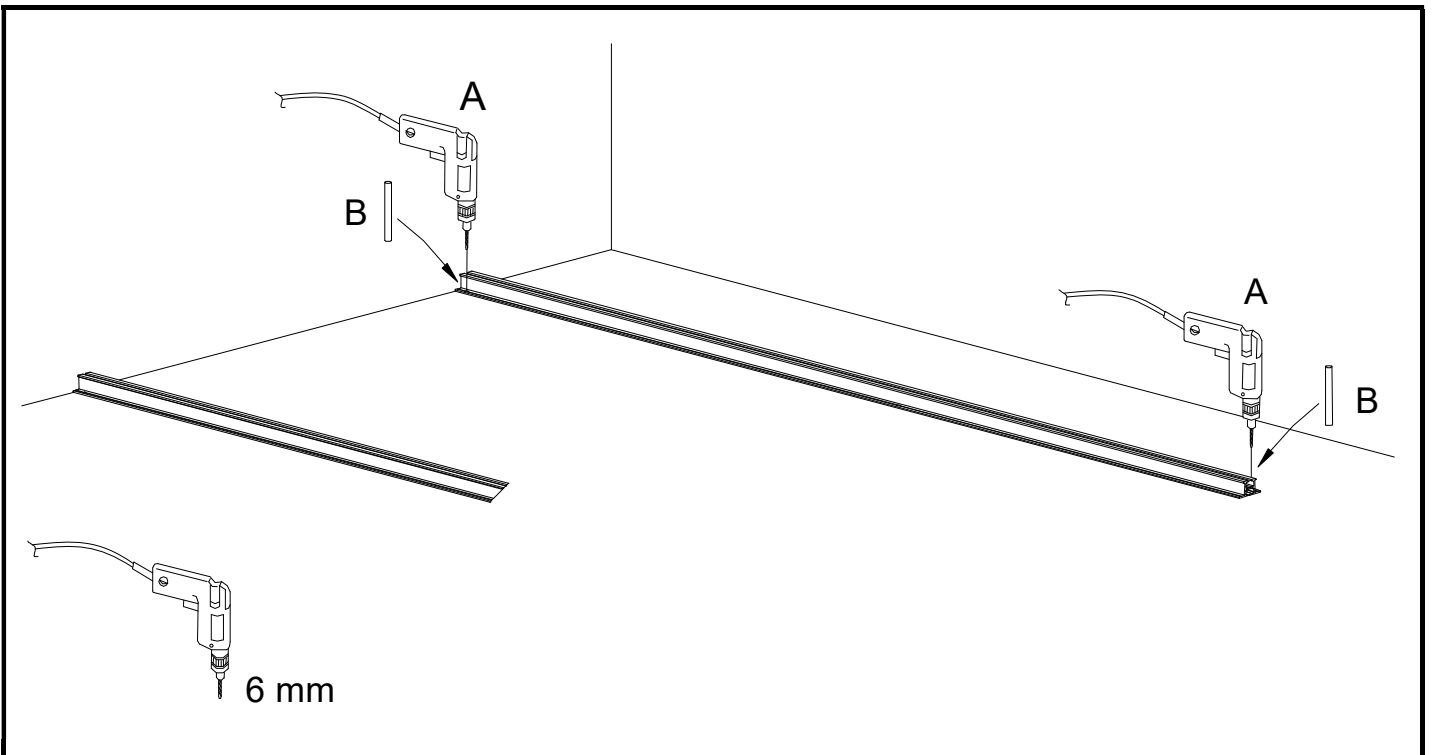
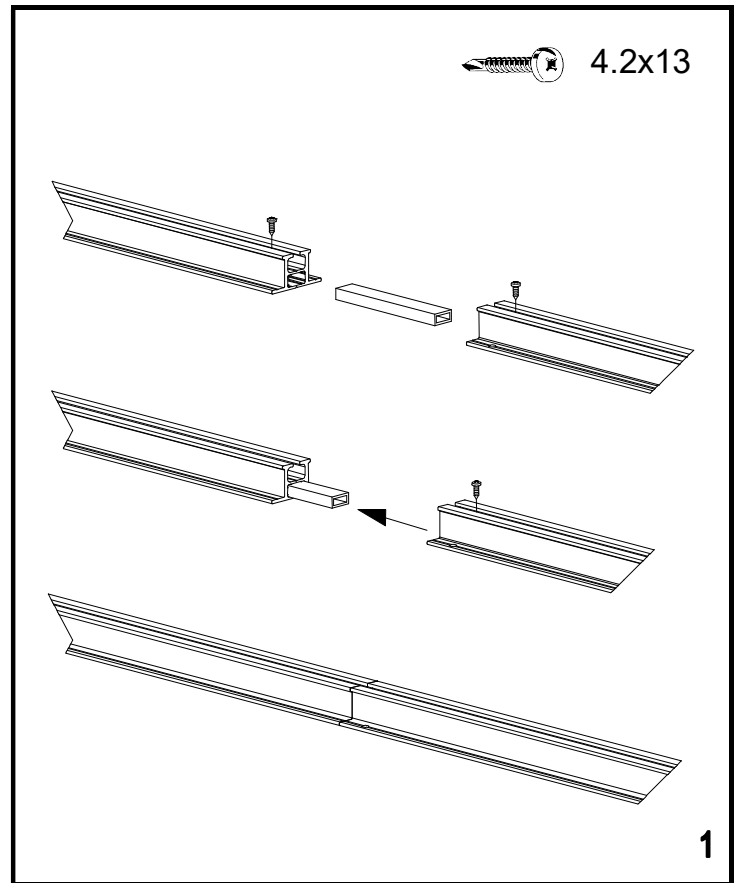


Assembly instruction

**Compactus[®] Office / Compactus[®] Office Electro
rail in concrete floor**

Compactus[®] Office / Compactus[®] Office Electro

	930B60-3000
	930B61-0120 DIN7504N-4.2x13
	DIN7985-M6x12 910B17-.... 020D03-01/S12
	020G01-05

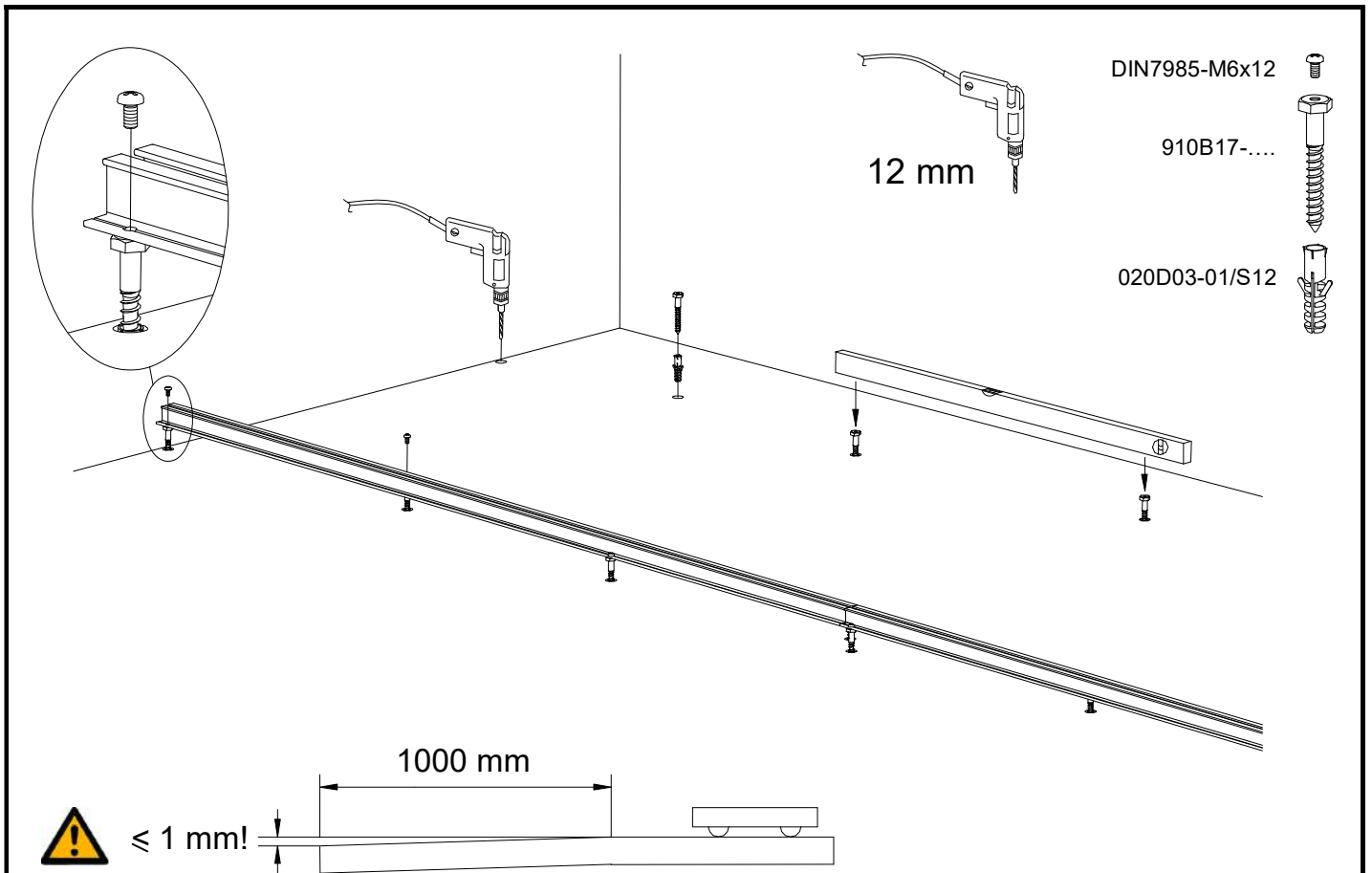


2 Position the rail correctly on the rough concrete floor. Drill pilot holes of \varnothing 6 mm, \pm 20 mm deep in the concrete floor through the holes of the rail (A): at the beginning and end of the rail.

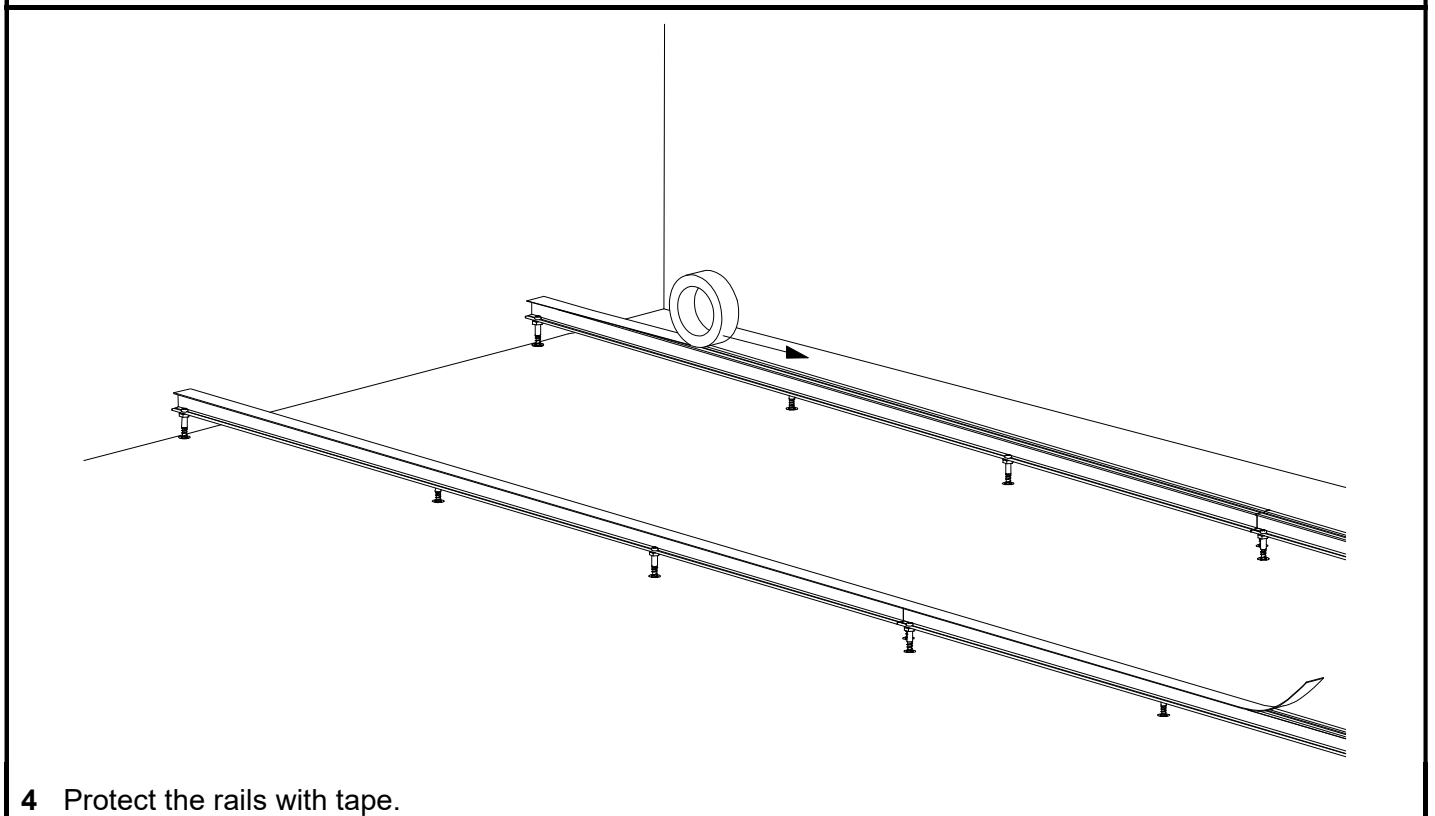
Insert a pin (\varnothing 6 mm) in these holes (B), to fix the exact position. Drill remaining holes in the concrete floor (one hole every 590 mm, shifting side of the rail).

 Check the centre-centre distance to the next rail.

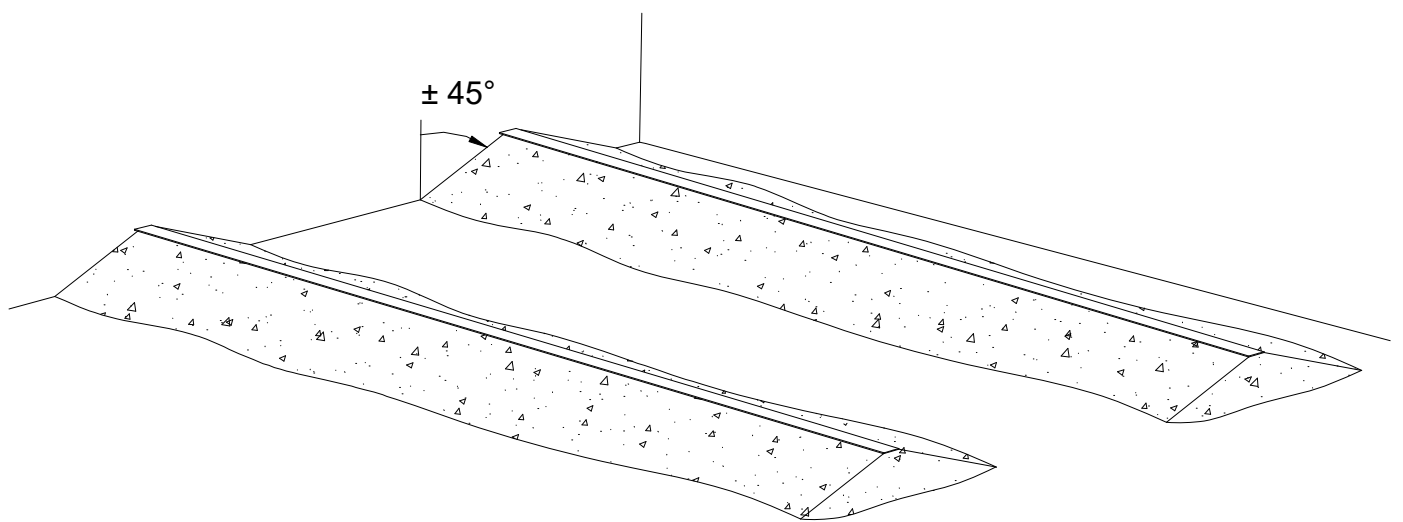
Compactus[®] Office / Compactus[®] Office Electro



- 3** Determine the level of the upper side of the rail; representing the level of the finished floor.
Remove the rail and locating pins. Enlarge every hole to $\varnothing 12 \text{ mm}$ and 70 mm deep and insert a plug.
Insert the rail anchor screws and level them carefully, within 1 mm per running meter!
Put the rail on the rail anchor screws. Secure the rail with rail screws.



Compactus[®] Office / Compactus[®] Office Electro



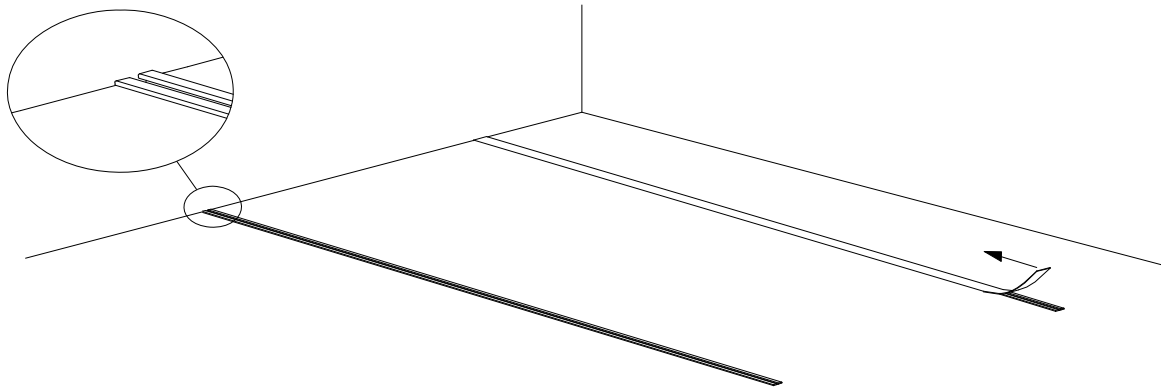
5 Pack the rails with high quality dry packing.

Requirements for the quality of the packing material:

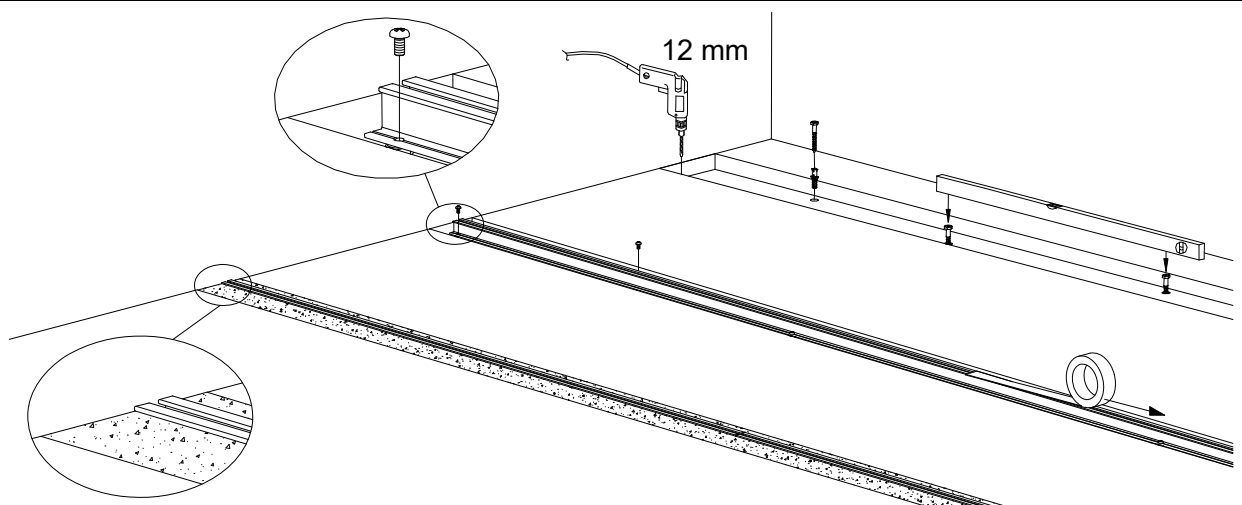
- Compressive strength equal or above C25/30(B35);
- Shrinkage must be minimum to prevent shrinkage cavities, especially direct underneath the rail.

Requirements for the application of the packing material:

- The space underneath the rail must be completely filled without cavities;
- Adequate load distribution requires a shoulder with a downward slant, preferable with an angle of ± 45 degrees. ⚠ This may be influenced by the type/quality of the overlay to be used.



6 The concrete floor is made and finished as usual: rails are completely integrated in the floor. Remove the tape.



Variation for installation on existing concrete floor:

Level and install the rails in slots. Pack the slots and the space underneath the rail with high quality pourable low shrinkage mortar.